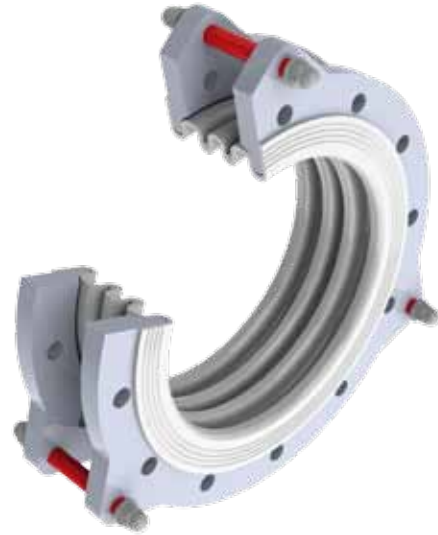


## PTFE Bellow

DEKOMTE manufacture a range of PTFE bellows to be used in special chemical and industrial applications.

PTFE multi-laminated tubes, that ensure an absolute minimum porosity and a homogenous wall-thickness, are transformed again under temperature and pressure to special high-quality bellows, with a high vacuum and pressure resistance, even during a long operational periods.

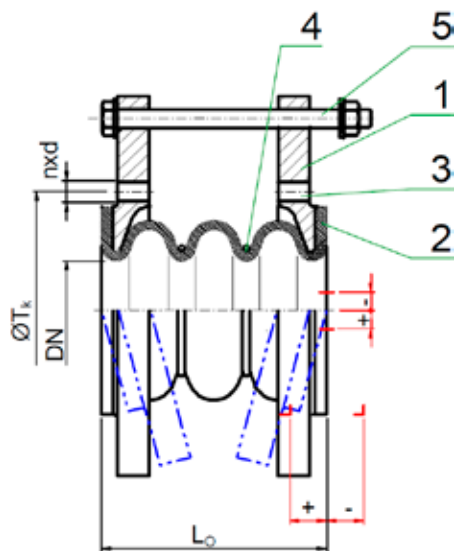
High pressure resistance, together with good flexibility from 2, 3 or multi convolution bellows.



<b>Duct Dimensions</b>	<b>DN200</b>
<b>Temp. Medium max .</b>	<b>160°C (customers data)</b>
<b>Design temperature</b>	<b>known by DEKOMTE</b>
<b>Cycles/year</b>	<b>Approx. 30</b>
<b>Medium</b>	<b>70% Sulphuric Acid</b>
<b>Pressure</b>	<b>Approx. +4 bar</b>
<b>Movement</b>	<b>axial <math>\pm</math> 60 mm; lateral 40 mm</b>

# PTFE Bellow

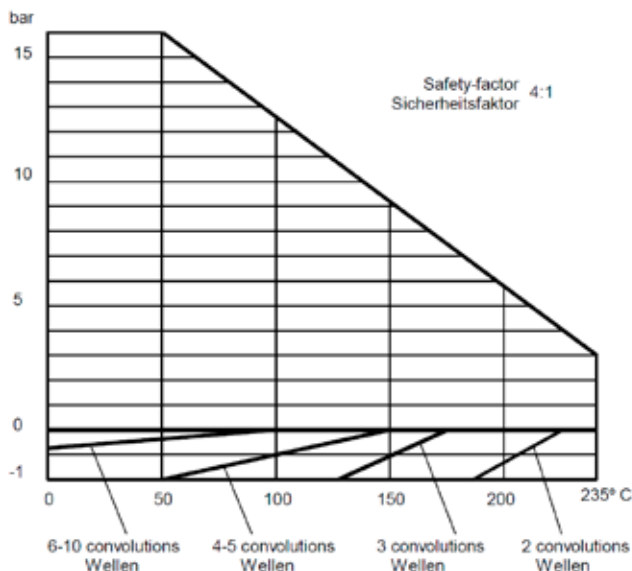
- 1 Flange - GGG 40 (0.7043), coated
- 2 PTFE expansion joint
- 3 Threaded holes DIN or ANSI
- 4 Stainless steel support rings
- 5 Limit bolts St/PE sleeved



## Available on demand

- Quality Certificate according to Pressure Equipment Directive 97/23/EC
- Conductive PTFE
- Double wall bellows with cavity safety drain
- Flanges in 304 Inox (1.4301), 316 Ti (1.4571), with or without 3.1 certificate according to EN 10204 3.1
- With non-standard connections
- Support rings in Monel 400, Hastelloy C3, Hastelloy C4
- Special fittings to avoid distortion on longer bellows
- Internal anti-deposit sleeve
- Larger sizes up to ND 900
- Standard Flanges ASA 150 or DIN, others on request

## P-T Diagram



## Nominal Pressure:

Number of convolutions	Nominal Pressure (bar)
2	16
3	16
4	10
5	10
6	10
7	6
8	6
9	6
10	6